

Features

- **Compact pressure unit**
with display of excellent luminosity, analogue output and switch function
- **Pressure sensor element**
of stainless steel with high overload capacity
- **Analogue output: 4...20 mA or 0...10 DCV**
for purpose of control and recording
- **High operating reliability**
designed for >10 million load cycles, vibration 25 g RMS
- **Easy to operate**
all working parameters can be adjusted when the pressure units are installed at a process system
- **EMV-stability according to IEC 801**
- **Protection category IP 65**



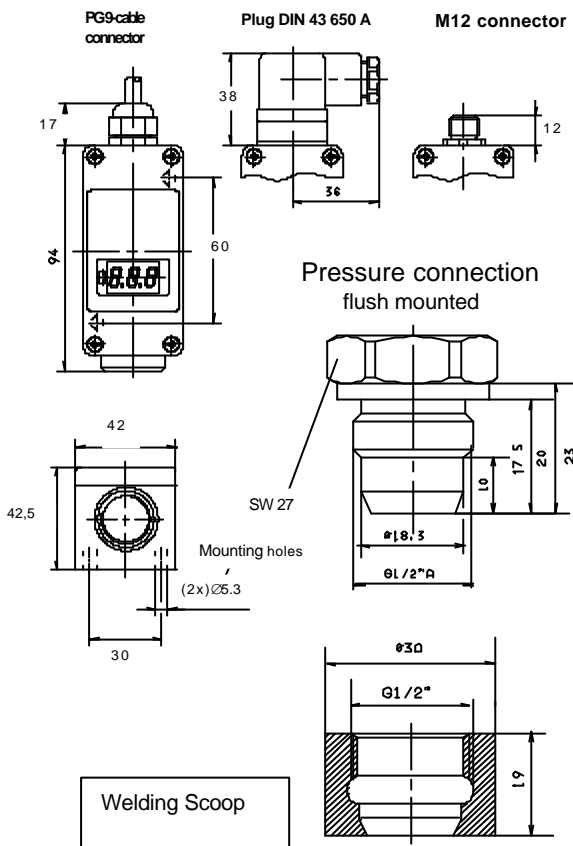
Pressure range [bar]	0 - 10	0 - 25	0 - 40	0 - 120	0 - 250
Supply voltage	16 - 32 VDC inclusive permissible ripple of 30 %				
No load current	≤ 50 mA				
Switch output	PNP, N.O./N.C., short circuit protection and protected against reverse polarity				
• Range of adjustment	4 .. 100 % of FS				
• Output current	≤ 250 mA				
• Voltage drop	≤ 2,5 V				
• Switching time	typ. 50 ms				
• Switching accuracy	± 0,5 % of FS				
• Switching-hysteresis *)	2 % of FS				
Relay output (option **)	Two-way-contact, galvanically isolated				
• Output current	≤ 1A				
• Contact rating/voltage	≤ 30 W/≤ 40 V				
Digital-Display	3 x 7-segments-LED-display, resolution ≤ 0,4 % of FS				
Switching indication	red LED				
Analogue output	4 - 20 mA or 0 - 10 VDC (≤ 5 mA), resp. time ≤ 4 ms, short circuit protection,				
• Response time	typ. 2 ms				
• Accuracy	± 1,0 % of FS				
• Reproducibility	± 0,2 % of FS				
Line temperature	- 25 °C ... 80 °C				
Permitted ambient temperature	- 25 °C ... 80 °C				
Temperature drift	0,25 % of FS/10 K				
Pressure connection	G 1/2" A flush mounted diaphragm, CIP-version				
Material of body/pressure cell	1.4571				
Material of housing	Makralon 8030				
Electrical connection	Plug DIN 43 650 A or PG 9 - cable connection or M12-connector				

*) Pressure switches with adjustable hysteresis, 2 % of FS are the smallest available hysteresis

**) Relay-option only with PG 9 - cable connection

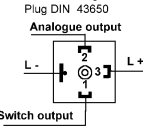
FS ≙ Rated Pressure

Dimensions in mm



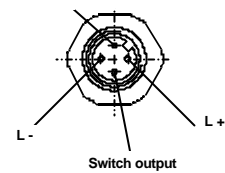
Electrical connections

4 wire system

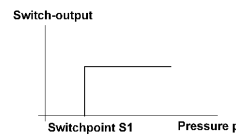


M12 connector

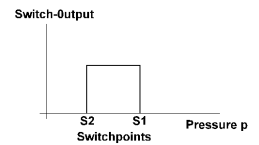
Analogue output



Adjustable operating modes:



Operating mode 1



Operating mode 2

Pressure Range												
• 0 – 10 bar												
• 0 – 25 bar			0	1	0							
• 0 – 40 bar			0	2	5							
• 0 – 120 bar			0	4	0							
• 0 – 250 bar			1	2	0							
			2	5	0							
Analogue Output												
• 0 - 10 VDC										G		
• 4 - 20 mA										S		
• 0 - 20 mA										O		
Pressure Connection												
• G 1/2 " A, CIP-version										5		
Electrical Connection												
• DIN 43650 4 wire plug											2	
• PG 9 - cable connection											3	
• M12 - Connector											4	
Options												
• Storage of max. pressure											1	
• Relay											2	
• Adjustable Hysteresis											4	
Order Specification	DW3	x	x	x	-	R	x	x	-	S	x	x