

### Line SLP

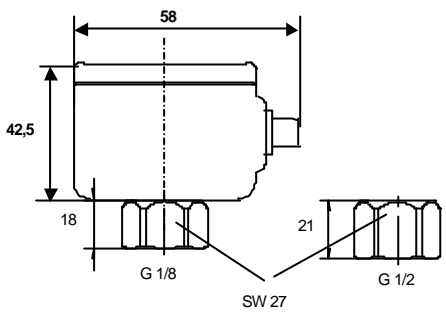
#### Features

- **Compact pressure unit**  
with display of excellent luminosity, analogue output and switch function
- **Pressure sensor element**  
of stainless steel with high overload capacity
- **Analogue output: 4...20 mA or 0...10 DCV**  
for purpose of control and recording
- **Programmable Zeropoint Shift**
- **High operating reliability**  
designed for >10 million load cycles, vibration 25 g RMS
- **Easy to operate**  
all working parameters can be adjusted when the pressure units are installed in a process system
- **EMV-stability according to IEC 801**
- **Protection category IP 67**



| Pressure range [bar]           | (-1) - 0  |         | (-0,5) - 0 |         | (-0,25) - 0 |  | (-0,1) - 0 |  |
|--------------------------------|---|---------|------------|---------|-------------|--|------------|--|
|                                | 0 - 0,1   | 0 - 0,5 | 0 - 1,0    | 0 - 5,0 | 0 - 10      |  |            |  |
| Supply voltage                 | 16 - 32 VDC inclusive permissible ripple of 30 %                                |         |            |         |             |  |            |  |
| No load current                | ≤ 50 mA   |         |            |         |             |  |            |  |
| Analogue output                | 4 - 20 mA or 0 - 10 VDC, short circuit protection                               |         |            |         |             |  |            |  |
| • Linearity                    | ± 0,5 % of FS   |         |            |         |             |  |            |  |
| • Reproducibility              | ± 0,1 % of FS   |         |            |         |             |  |            |  |
| • Range Adjustment             | 100 % of FS to 50 % of FS   |         |            |         |             |  |            |  |
| Switch output                  | PNP, N.O./N.C., short circuit protection and protected against reverse polarity |         |            |         |             |  |            |  |
| • Range of adjustment          | 4 .. 100 % of FS  |         |            |         |             |  |            |  |
| • Output current               | ≤ 250 mA  |         |            |         |             |  |            |  |
| • Voltage drop                 | ≤ 2,5 V   |         |            |         |             |  |            |  |
| • Switching time               | 20 ms   |         |            |         |             |  |            |  |
| • Temperature drift            | typ. 0,15 % of FS/10 K  |         |            |         |             |  |            |  |
| • Switching-hysteresis *)      | 2 % of FS or larger   |         |            |         |             |  |            |  |
| Relay output (option)          | One-way -contact, galvanically isolated   |         |            |         |             |  |            |  |
| • Output current               | ≤ 1A  |         |            |         |             |  |            |  |
| • Contact rating/voltage       | ≤ 30 W/≤ 40 V   |         |            |         |             |  |            |  |
| Digital-Display                | 3 x 7-segments-LED-display  |         |            |         |             |  |            |  |
| Switching indication           | red LED   |         |            |         |             |  |            |  |
| Line temperature               | - 10 °C to 70 °C  |         |            |         |             |  |            |  |
| Permitted ambient temperature  | - 10 °C to 70 °C  |         |            |         |             |  |            |  |
| Pressure connection            | G 1/8, G1/2   |         |            |         |             |  |            |  |
| Material of body/pressure cell | 1.4305 /FPM or ceramic  |         |            |         |             |  |            |  |
| Material of housing            | Makralon 8030   |         |            |         |             |  |            |  |
| Electrical connection          | M12-connector   |         |            |         |             |  |            |  |

**Dimensions in mm**

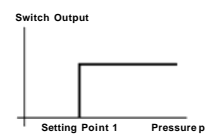


**Electrical Connection**


**M12 connector**

- Analogue output/white
- Relay P/gray (5) (Option)
- L +/-brown (1)
- Switch output/black (4) (Option: Relay/N.O.)
- L -/blue (3)

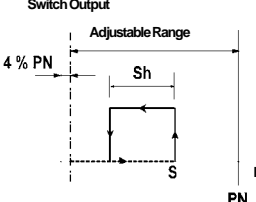
**Adjustable Operating Modes for the Switch Output**



Operating Mode Standard



Operating Mode Window



Operating Mode Hysteresis

|   |     |   |   |   |   |   |   |   |   |   |   |   |
|---|-----|---|---|---|---|---|---|---|---|---|---|---|
| <b>Pressure Range</b>                   |     |   |   |   |   |   |   |   |   |   |   |   |
| • (-1) – 0 bar                          |     |   |   | 0 | M | 1 |   |   |   |   |   |   |
| • (-0,5) - 0 bar                        |     |   |   | M | 0 | 5 |   |   |   |   |   |   |
| • (-0,25) - 0 bar                       |     |   |   | M | 0 | 2 |   |   |   |   |   |   |
| • (-0,1) - 0 bar                        |     |   |   | M | 0 | 1 |   |   |   |   |   |   |
| • 0 – 0,1 bar                           |     |   |   | 0 | K | 1 |   |   |   |   |   |   |
| • 0 – 0,5 bar                           |     |   |   | 0 | K | 5 |   |   |   |   |   |   |
| • 0 – 1,0 bar                           |     |   |   | 0 | 0 | 1 |   |   |   |   |   |   |
| • 0 – 5,0 bar                           |     |   |   | 0 | 0 | 5 |   |   |   |   |   |   |
| • 0 – 10 bar                            |     |   |   | 0 | 1 | 0 |   |   |   |   |   |   |
| <b>Analogue Output</b>                  |     |   |   |   |   |   |   |   |   |   |   |   |
| • 0 - 10 VDC                            |     |   |   |   |   |   |   | G |   |   |   |   |
| • 4 - 20 mA                             |     |   |   |   |   |   |   | S |   |   |   |   |
| <b>Pressure Connection</b>              |     |   |   |   |   |   |   |   |   |   |   |   |
| • G 1/2                                 |     |   |   |   |   |   |   | 1 |   |   |   |   |
| • G 1/8                                 |     |   |   |   |   |   |   | 8 |   |   |   |   |
| <b>Electrical Connection</b>            |     |   |   |   |   |   |   |   |   |   |   |   |
| • M12 – Connector, 4 pin                |     |   |   |   |   |   |   |   | 4 |   |   |   |
| • M12 – Connector, 5 pin (Option:Relay) |     |   |   |   |   |   |   |   | 5 |   |   |   |
| <b>Option</b>                           |     |   |   |   |   |   |   |   |   |   |   |   |
| • Relay                                 |     |   |   |   |   |   |   |   | 2 |   |   |   |
| <b>Order Specification</b>              | DW6 | x | x | x | - | R | x | x | - | S | x | x |