

SELF-CONTAINED CHART RECORDERS

MINIDISQUE

Ambient/Remote

Advantages

Reliable, simple and easy to operate, Minidisque are recorders dedicated for measuring temperature and relative humidity. They operate by direct action: the measuring element directly controls the recording device. No energy source is required.

Circular chart recording is by continuous plotting with a replaceable fiber tip pen. The window provides visibility for the entire graph.

For the remote mode, the temperature is measured by the mean of a probe filled with a neutral gas under high pressure linked to the case by a 3 meters copper capillary.

Applications Fields

Ambient MINIDISQUE

- heating rooms, air-conditioned areas
- laboratories, clean rooms
- food distribution

Remote MINIDISQUE

- food industry
- medical cold chain
- pharmaceutical industry

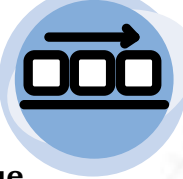
Technical characteristics		Ambient	Remote
Measurement range		see hereunder table	
Operating range		from -15°C to +60°C	
Storage conditions		from -35°C to +65°C	
Accuracy	Temperature	± 2% of the measuring range ±1°C	± 2% of the measuring range (at 23°C)
	Humidity	± 6%RH	-
Recording period		7 days	
Clock mechanism		quartz	
Temperature sensor	Temperature	bimetal	stainless steel bulb Ø10 mm and 100 mm length connected by a copper capillary L3 m Ø2,5 mm
	Humidity	hair sheaf	-
Circular paper diagram		Ø 125 mm	
Power		1,5 V (LR6)	
Autonomy	battery	1 year life at 20°C	
	fiber tip pen	90 m long trace	
DIN Format		144 x 144 mm	

	Number of channels	Measured parameters and range		Recorder	Diagram	Diagram	Fiber pen
		Temperature	Humidity				
Ambient	1 channel	from -10 to +40°C	-	16202.11	D 31740	D 31830	S 97601
	1 channel	from -15 to +60°C	-	16213.11	D 31670	D 31820	S 97601
	1 channel	from -10 to +20°C	-	16214.11	D 32170	D 32780	S 97601
	2 channels	from -10 to +40°C	20 to 100%RH	16514.17	D 31870	D 31850	S 97601
	2 channels	from -15 to +60°C	20 to 100%RH	16515.17	D 32100	D 32110	S 97603
	1 channel	from -25 to +25°C	-	13002.11**	D 31730	D 32230	S 97601
Remote	1 channel	from +30 to +130°C*	-	13005.11**	D 31760	D 31750	S 97601
	1 channel	from 0 to +120°C	-	13007.11**	D 32260	D 32250	S 97601
	1 channel	from 0 to -100°C	-	13010.11	D 32380	D 32340	S 97601
	1 channel	from -90 to +10°C	-	13016.11**	D 32310	-	S 97601
	1 channel	from -100 to +50°C	-	13019.11**	D 32300	-	S 97601
	1 channel	from -35 to +15°C	-	13052.11**	D 31690	D 31700	S 97601
	1 channel	from -10 to +40°C	-	13023.11**	D 31740	D 31830	S 97601
	2 channels	from -35 to +15°C	-	13021.17	D 32190	-	S 97601
	2 channels	from -10 to +40°C	-	13021.12	-	D 32180	S 97603

*) 1,5 m capillary

**) Can be delivered with power supplied 220 V 50Hz (with battery back up)

Production



Storage



Distribution



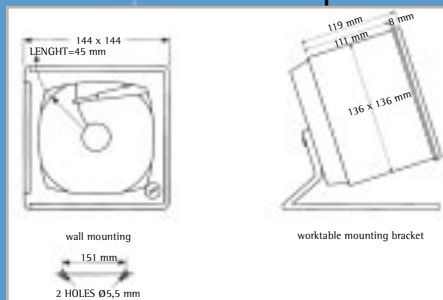
Air-conditioning



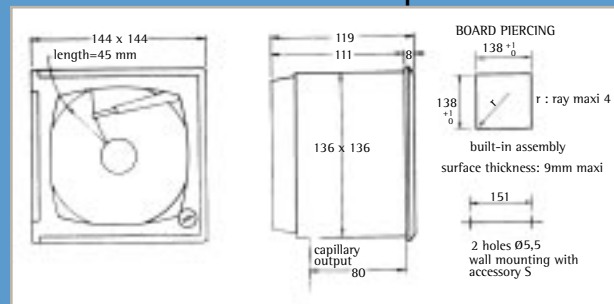
Cleans rooms



Ambient Minidisque



Remote Minidisque



Reliable, simple and easy to operate